

FAST PAK PACKAGED SYSTEMS



HORIZONTAL SPLIT

**PUMPS
INLINE**

ENDSUCTION



PUMP TRIM & ACCESSORIES



- Unfired Steam Generators
 Shell & Tube Heat Exchangers
 Replacement Tube Bundles
 Hot Water Generators
 Instantaneous Water Heaters
 Heat Recovery Systems
 Asphalt Heaters
 Fuel Oil Preheaters
 Fuel Oil Suction Heaters
 Liquid/Vapor Separators

FAST PAK BOOSTER, HEATING & COOLING PUMPING SYSTEM

FLOW GPM	SIZE INCHES	PSI		20	25	30	35	40	45	50	60	70	80	100
		FT	FT											
50				46	58	69	81	92	104	115	139	162	185	231
		IL15-1-34	IL1.255-1.5-34	IL1.255-1.5-34	IL1.255-1.5-34	IL1.255-2-34	IL1.255-2-34	IL1.255-2-34	IL28-3-34	IL28-3-34	IL28-5-34	IL28-5-34	IL28-7.5-34	IL28-7.5-34
75		IL1.255-1.5-34	IL1.255-1.5-34	IL1.255-2-34	IL1.255-2-34	IL1.255-2-34	IL1.53-3-34	IL1.53-3-34	IL28-3-34	IL28-3-34	IL28-5-34	IL28-5-34	IL28-7.5-34	IL28-7.5-34
100		IL1.255-1.5-34	IL1.255-2-34	IL1.255-3-34	IL1.255-3-34	IL1.53-3-34	IL1.53-5-34	IL1.53-5-34	IL28-3-34	IL28-5-34	IL28-5-34	IL28-5-34	IL28-7.5-34	IL28-10-34
125		IL1.255-2-34	IL1.255-2-34	IL1.255-3-34	IL1.255-3-34	IL1.53-3-34	IL1.53-5-34	IL1.53-5-34	IL28-3-34	IL28-5-34	IL28-5-34	IL28-5-34	IL28-7.5-34	IL28-10-34
150	3	IL35-2-34	IL35-3-34	IL35-3-34	IL35-3-34	IL35-5-34	IL35-5-34	IL35-5-34	IL35-7.5-34	IL35-7.5-34	IL28-5-34	IL28-5-34	IL28-7.5-34	IL28-10-34
175		IL35-2-34	IL35-3-34	IL35-3-34	IL35-3-34	IL35-5-34	IL35-5-34	IL35-5-34	IL35-7.5-34	IL35-7.5-34	IL28-5-34	IL28-5-34	IL28-7.5-34	IL28-10-34
200		IL35-2-34	IL35-3-34	IL27-5-34	IL35-3-34	IL35-5-34	IL35-5-34	IL35-5-34	IL35-7.5-34	IL35-7.5-34	IL28-7.5-34	IL28-7.5-34	IL28-7.5-34	IL28-10-34
250		IL35-2-34	IL35-3-34	IL35-5-34	IL35-5-34	IL35-5-34	IL35-5-34	IL35-5-34	IL35-7.5-34	IL35-7.5-34	IL28-10-34	IL28-10-34	IL28-15-34	IL210-20-34
300		IL35-3-34	IL35-3-34	IL35-5-34	IL35-5-34	IL35-5-34	IL35-5-34	IL35-5-34	IL28-7.5-34	IL28-7.5-34	IL28-10-34	IL28-10-34	IL28-15-34	IL210-20-34
350		IL35-3-34	IL35-5-34	IL35-5-34	IL35-5-34	IL35-5-34	IL35-5-34	IL35-7.5-34	IL28-10-34	IL28-10-34	IL28-10-34	IL28-15-34	IL28-15-34	IL210-20-34
400		IL35-5-34	IL35-5-34	IL35-5-34	IL35-5-34	IL35-5-34	IL35-7.5-34	IL35-7.5-34	IL28-10-34	IL28-10-34	IL28-15-34	IL28-15-34	IL28-15-34	IL210-25-34
450	4	IL35-5-34	IL35-5-34	IL35-7.5-34	IL35-5-34	IL35-7.5-34	IL1.57-10-34	IL1.57-10-34	IL1.57-10-34	IL28-15-34	IL28-15-34	IL28-15-34	IL28-20-34	IL210-25-34
500		IL25-7.5-34	IL35-7.5-34	IL37-7.5-34	IL35-7.5-34	IL37-7.5-34	IL1.57-10-34	IL1.57-10-34	IL1.57-10-34	IL1.57-15-34	IL1.57-15-34	IL28-20-34	IL310-20-34	IL210-30-34
600		ES38-5-17	ES310-7.5-17	ES2.510-7.5-17	ES2.510-10-17	ES2.510-10-17	ES310-15-17	ES310-15-17	ES212-15-17	ES312-15-17	ES312-20-17	0	0	0
700		ES38-5-17	ES310-7.5-17	ES310-10-17	ES2.510-10-17	ES2.510-10-17	ES310-15-17	ES310-15-17	ES312-15-17	ES312-15-17	ES312-20-17	0	0	0
800	6	ES310-7.5-17	ES310-7.5-17	ES310-10-17	ES310-10-17	ES310-15-17	ES310-15-17	ES312-15-17	ES312-15-17	ES312-20-17	ES312-20-17	0	0	0
900		ES310-7.5-17	ES310-10-17	ES310-10-17	ES310-10-17	ES310-15-17	ES310-15-17	ES312-15-17	ES312-20-17	ES312-20-17	ES312-25-17	0	0	0
1000		ES48-7.5-17	ES310-10-17	ES310-15-17	ES310-15-17	ES310-15-17	ES410-15-17	ES410-15-17	ES312-20-17	ES312-25-17	ES412-30-17	0	0	0
1200		ES410-10-17	ES410-15-17	ES310-15-17	ES410-20-17	ES410-20-17	ES410-20-17	ES410-20-17	ES412-20-17	ES312-25-17	ES412-30-17	0	0	0
1400		ES410-15-17	ES410-15-17	ES410-15-17	ES410-15-17	ES410-20-17	ES412-20-17	ES412-25-17	ES412-25-17	ES412-25-17	ES512-40-17	0	0	0
1600	8	ES410-15-17	ES410-15-17	ES410-20-17	ES410-20-17	ES412-20-17	ES412-20-17	ES412-25-17	ES412-30-17	ES412-30-17	ES512-40-17	0	0	0
1800		ES510-15-17	ES510-20-17	ES510-25-17	ES510-25-17	ES412-25-17	ES412-25-17	ES412-30-17	ES412-30-17	ES512-40-17	ES512-40-17	0	0	0
2000	10	ES510-15-17	ES510-20-17	ES510-25-17	ES510-25-17	ES412-30-17	ES412-30-17	ES412-30-17	ES412-40-17	ES512-40-17	ES512-50-17	0	0	ES516-100-17

ES3 10-15-17

CODE: IL35-5-34

END SUCTION
SIZE 4X3X10
HP 15
RPM 1750

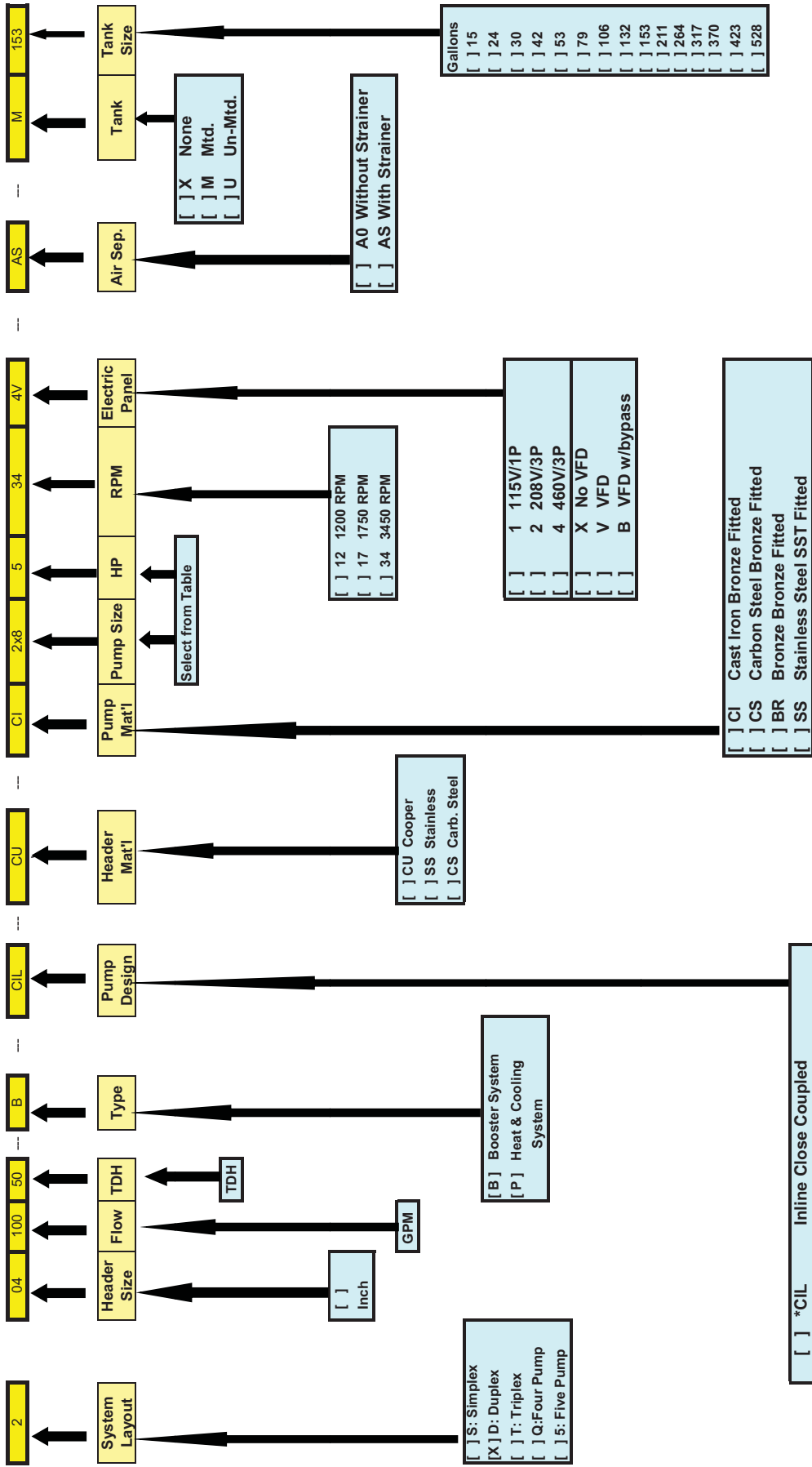
INLINE PUMP
SIZE 3X3X5
HP 5
RPM 3450



THE ALSTROM CORPORATION
HEAT TRANSFER EQUIPMENT & SYSTEMS
Innovators since 1939

1408 Seabury Avenue Bronx, NY 10461
Phone: 718-824-4901, 800-223-4901
Fax: 718-409-3605
E-mail: info@alstromcorp.com
Web: www.alstromcorp.com

BUILDING BLOCK MODEL # FOR BOOSTER, HEATING & COOLING SYSTEM



1408 Seabury Avenue Bronx, NY 10461
 Phone: 718-824-4901, 800-223-4901
 Fax: 718-409-3605
 E-mail: info@alstromcorp.com
 Web: www.alstromcorp.com



BUILDING BLOCK FOR PUMPING SYSTEM SKIDS

(1)	<p>SYSTEM LAYOUT</p> <p>S Simplex D Duplex T Triplex Q Quadruplex F Five Pumps</p>	<p>(8) [] []</p> <p>(9) [] []</p>	<p>PUMP SIZE IN / OUT & CASING SIZE</p> <p>HP MOTOR 5 ETC</p>
(2)	<p>HEADER SIZE</p> <p>SIZE INCHES</p>	<p>(10) [] [] [] [] [] []</p>	<p>RPM 1200 RPM 1750 RPM 3450 RPM</p>
(3)	<p>FLOW</p> <p>GPM</p>	<p>[] [] [] [] [] []</p>	<p>ELECTRIC PANEL 115 / 1 Volts 208 / 3 Volts 460 / 3 Volts No VFD Without By Pass With By Pass</p>
(4)	<p>TYPE</p> <p>B Booster System Pumps P Heating & Cooling System Pumps</p>	<p>[] [] [] [] [] [] [] [] [] [] [] [] [] []</p>	<p>AIR SEPARATOR Without Strainer With Strainer</p>
(5)	<p>PUMP DESIGN</p> <p>*CIL Inline Close Coupled FIL Inline Flex Coupled *CES Close Coupled End Suction ESF Flex Coupled End Suction HSC Flex Coupled Horizontal Frame Split Case VSC Flex Coupled Vertical Frame Split Case MUS Multi-Stage Pumps</p>	<p>(11) [] [] [] [] [] [] [] [] [] [] [] [] [] [] [] [] [] [] [] []</p>	<p>EXPANSION TANK None Mounted Mounted Un- Mounted</p>
(6)	<p>HEADER MATERIAL</p> <p>CO Copper ST Stainless Steel CA Carbon Steel</p>	<p>(12) [] [] [] [] [] [] [] [] [] [] [] [] [] [] [] [] [] [] [] []</p>	<p>TANK SIZE GALLONS 15, 24, 30, 42, 63, 79, 106, 132, 153, 211, 264, 317, 370, 423, 528</p>
(7)	<p>PUMP MATERIAL</p> <p>CI Cast Iron CS Carbon Steel BR Bronze SS Stainless Steel</p>	<p>[] [] [] [] [] [] [] []</p>	<p>PUMP MATERIAL Cast Iron Bronze Fitted Carbon Steel Bronze Fitted Bronze Bronze Fitted Stainless Steel SST Fitted</p>



HEAT TRANSFER
 EQUIPMENT & SYSTEMS
 Innovators since 1939

1408 Seabury Avenue Bronx, NY 10461
 Phone: 718-824-4901, 800-223-4901
 Fax: 718-409-3605
 E-mail: info@alstromcorp.com
 Web: www.alstromcorp.com

10/31/08 RHH